

# BUTTERFLY VALVE



## YBF-Series

This valve satisfies the specification of ANSI B16, BS4504 & JIS B 2210 which are the types of operators including manual, electric, etc. It is designed to operate in a heavy workload condition.

### Application

Used as a control or blocking valve in common utilities including heating, ventilation, and air conditioning system & domestic water facilities.

- Applicable fluid
  - ① Hot water : Max.80°C
  - ② Fluid : Water
  - ③ Cold water : Max. -10°C
- Connection standard : ISO PN 10,16,20 / ANSI B 16.5 CL ,150 / JIS B 2210
- Valve size : 50mm~500mm

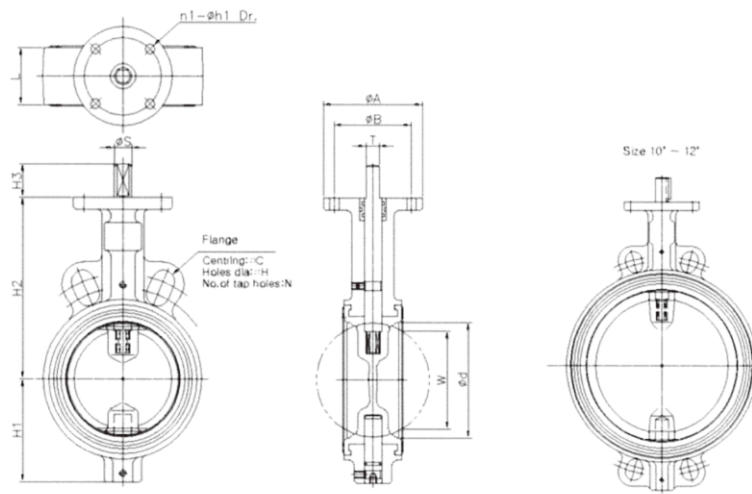
### Technical Data

Valves						
Valve Size (mm)	Model		CV	Max. Pressure (kgf/cm <sup>2</sup> )	Actuator Model	Note
	10K	20K				
50	YBF-1050	YBF-2050	135	10 / 20	QMA-05	
65	YBF-1065	YBF-2065	210		QMA-05	
80	YBF-1080	YBF-2080	310		QMA-05	
100	YBF-1100	YBF-2100	540		QMA-10	
125	YBF-1125	YBF-2125	1100		QMA-10	
150	YBF-1150	YBF-2150	1910		QMA-10	
200	YBF-1200	YBF-2200	3185		QMA-20	
250	YBF-1250	YBF-2250	4900		QMA-40	
300	YBF-1300	YBF-2300	7350		QMA-60	
350	YBF-1350	YBF-2350	11200		QMA-100	
400	YBF-1400	YBF-2400	12900		QMA-100	
450	YBF-1450	YBF-2450	17500		QMA-150	

**Material**

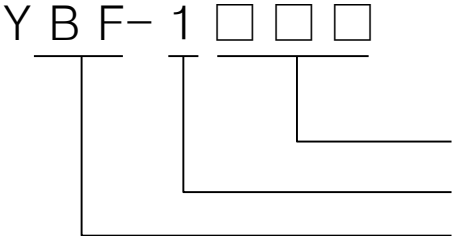
Category	Material	Note
Body	Cast iron, ductile iron	
Disc	SSC13A, SSC14A	
Stem	SUS 304/316	
Seat	EPDM, NBR	

**Shape Dimension**



Model	Ød	L	H1	H2	W	Weight (Kg)
YBF-50	50	43	61	128	28	3.2
YBF-65	67	46	73	139	51	4.1
YBF-80	79	46	80	150	67	4.5
YBF-100	101	52	93	164	89	5.8
YBF-125	124	56	113	176	113	7.8
YBF-150	147	56	126	190	139	9.5
YBF-200	197	60	157	230	191	17.0
YBF-250	248	68	205	270	242	24.0
YBF-300	297	78	240	305	290	40.0
YBF-350	332	78	267	335	327	55
YBF-400	376	102	303	370	366	84
YBF-450	430	114	325	390	419	97

Order specifications



Valve Size : 50~500A  
Pressure : 1 -10Kgf/cm2 / 2 -20Kgf/cm2  
Butterfly Valve