

# ROOM TEMPERATURE & HUMIDITY TRANSMITTER



## STHR

STHR2235, STHR2245, STHR2236, STHR2246

### Application

“STHR” Room Temperature & Humidity Transmitter is intended control transmitter by sensing relative humidity and temperature of room ventilation and air-handling units.

Also can be used interface detect transmitter with sensing value display or auto control system of building.

- Pulp/textile/food warehouse, greenhouse, computer room, R&D room, hospital etc.
- Use measuring detector: In case of optimistic function system.

### Technical Data

MODEL	OUTPUT SIGNAL	MEASURING RANGE	ACCURACY(at 23°C)
STHR2235	NTC3KΩ / 4~20mA	-10~+70°C / 0~+100%RH	±0.2°C(at 25°C) / ±1.8%RH(at 0~80% RH)
STHR2245	NTC10KΩ / 4~20mA	-10~+70°C / 0~+100%RH	±0.2°C(at 25°C) / ±1.8%RH(at 0~80% RH)
STHR2236	NTC3KΩ / 0~10VDC	-10~+70°C / 0~+100%RH	±0.2°C(at 25°C) / ±1.8%RH(at 0~80% RH)
STHR2246	NTC10KΩ / 0~10VDC	-10~+70°C / 0~+100%RH	±0.2°C(at 25°C) / ±1.8%RH(at 0~80% RH)

- SUPPLY VOLTAGE : DC 15~30V or 24VAC±20% / (2-wire) 15~30VDC
- POWER CONSUMPTION : DC/8mA, AC/20mA typical
- SENSING ELEMENT : NTC / Capacitiv Polymer
- SELF HEATING : 2.7mW/°C
- ACCURACY : at 25°C Within ±0.2°C, at 0~80%RH within ±1.8%RH
- OUTPUT SIGNAL : Temp. / NTC 3KΩ, NTC 10KΩ, Humi. / 4~20mA, 0~10VDC
- SENSING TIME : Temp/5min.Humidity:10sec (at 0.15m/sec velocity)
- AMBIENT TEMPERATURE : 1) On Operation: -10~+70°C  
2) On Transportation & Storage: -10~+65°C
- AMBIENT HUMIDITY : 1) On Operation : below 0~95%RH  
2) On Transportation & Storage : below 95%RH
- PROTECTION CLASS : IP 30 to EN 60529
- WEIGHT : 80g

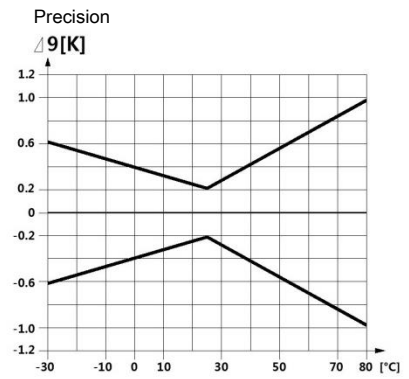
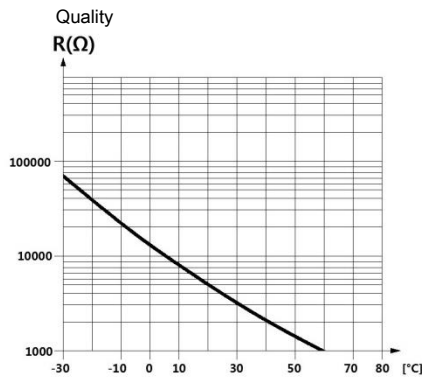
**Notes**

► Engineering :

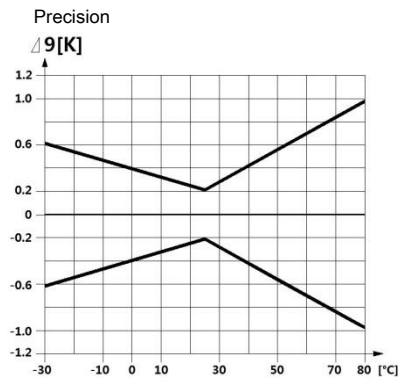
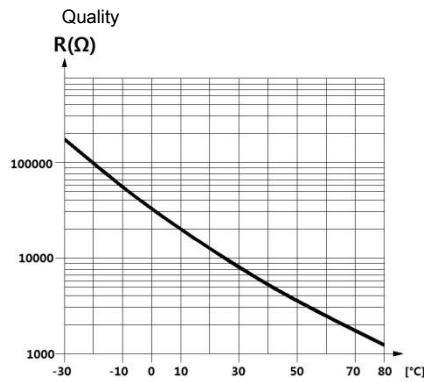
In case of control: Preferably install on the wall of building or house and keep away from direct light.

**Accuracy**

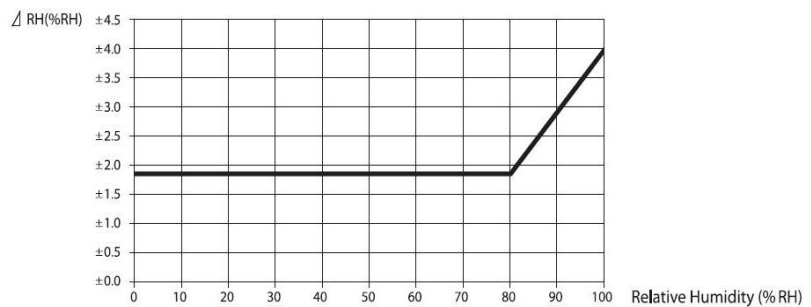
► NTC 3K $\Omega$



► NTC 10K $\Omega$ (II)



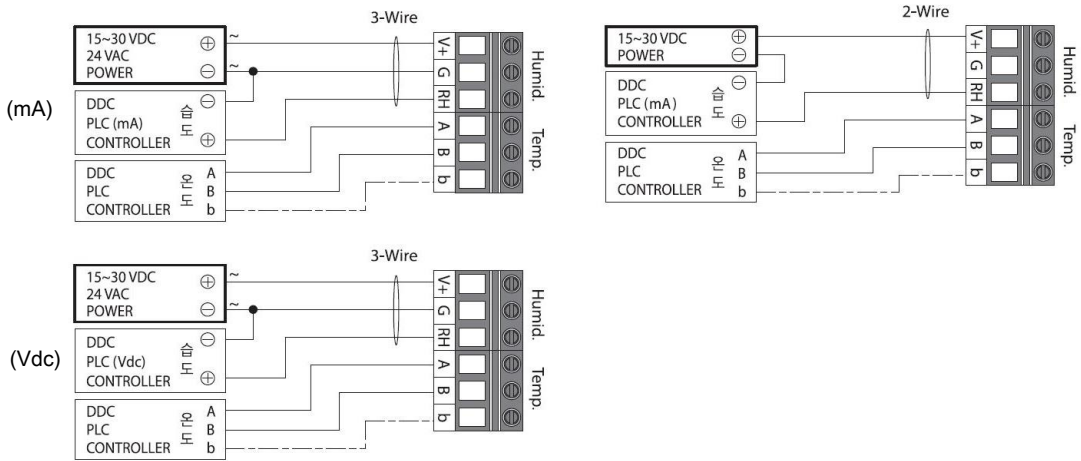
► Relative Humidity Accuracy ( $\pm 1.8$ RH)



### Mounting Guide

- 1) Installation height: Preferably install in the middle of house, building or heating area, and to be installed at least 1.5 meter above from the floor.
- 2) Prohibited Location: Window, door, ventilating hole, upper place of heat source, and veranda or beneath the eaves of roof.
- 3) To prevent any deeding errors from convection of warm, air, cable wire tube of transmitter should be shielded and must not be painted.

### Wiring Diagram



### Shape Dimension

